

15540 Woodinville-Redmond Rd.
Woodinville, WA 98072

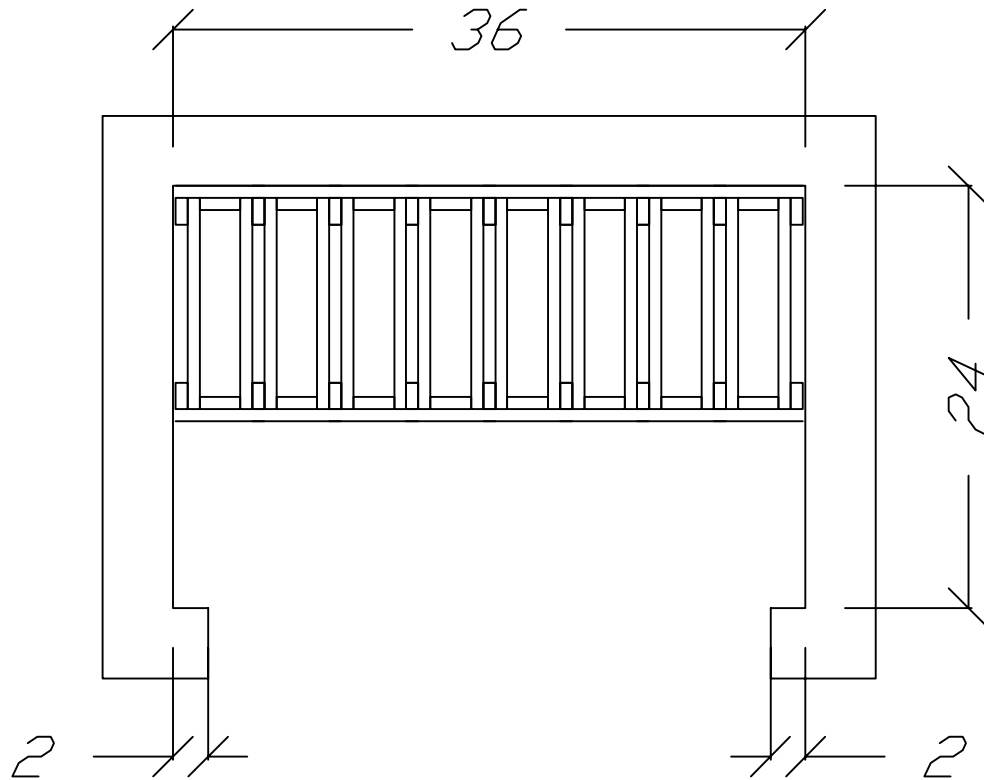
(888) 999-9749
www.apexwinecellars.com

Sample 2'x3'
Cellar
Elevation (2D)

NOTICE: All ideas, designs, and plans shown on this drawing are the sole property of Apex Wine Cellars, and have been created and developed for the exclusive use of this project. None of these ideas, designs or plans shall be used by or disclosed to any other person, firm or corporation without the written permission of Apex Wine Cellars.

Drawing No.
ARCHITECT_2x3_2

Date: 09/07
Drawn By: JH



<i>Racking Height: 84"</i>	
<i>Bottle Capacity</i>	<i>+/-</i>
<i>Individual 750ml Bottles</i>	<i>104</i>
<i>Box Diamond Bins</i>	<i>68</i>
<i>Magnum Bottles on top</i>	<i>8</i>
<i>TOTAL CAPACITY</i>	<i>180</i>



15540 Woodinville-Redmond Rd.
Woodinville, WA 98072

(888) 999-9749
www.apexwinecellars.com

Sample 2'x3'
Cellar
Plan View (2D)

NOTICE: All ideas, designs, and plans shown on this drawing are the sole property of Apex Wine Cellars, and have been created and developed for the exclusive use of this project. None of these ideas, designs or plans shall be used by or disclosed to any other person, firm or corporation without the written permission of Apex Wine Cellars.

Drawing No.
ARCHITECT_2x3_1

Date: 09/07
Drawn By: JH